



little big disk QUADRA

DESIGN BY NEIL POULTON



BACKUP

**The Best Performance in
Professional Mobile Storage**

eSATA 3Gb/s | FireWire 800 & 400 | USB 2.0

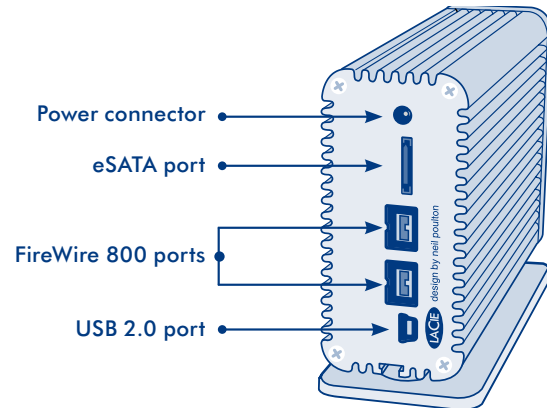


For Audio/Video Pros On The Road

This one-of-a-kind FireWire bus-powered innovation offers daisy-chaining directly to digital video cameras, and bootability via FireWire (Mac®) or eSATA (Windows®). Now you can get convenient portable data storage without sacrificing high-speed performance. Connect the LaCie Little Big Disk Quadra via eSATA or FireWire 800 for astoundingly fast burst transfer rates up to 30% higher than conventional desktop hard disks.

Universal Connection

This quadruple interface hard disk comes with eSATA 3Gb/s, 2 x FireWire 800 (6-pin FireWire 400 adapter included) and USB 2.0 connections for complete compatibility with any PC or Mac computer. Installation and formatting is easy for all users thanks to the included LaCie Setup Assistant. The bundled advanced backup and restoration software helps you easily save your multiple projects. The Little Big Disk Quadra is fully plug & play with Mac OS X 10.5, Windows XP, and Windows Vista®.

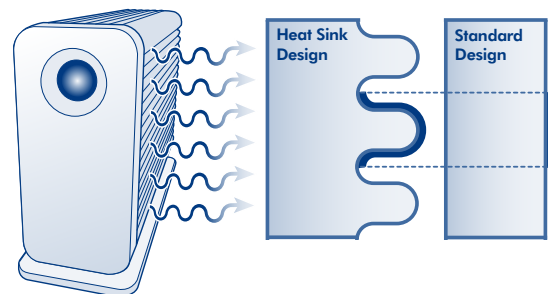


Little Size. Big Capacity.

For maximum performance with minimum dimensions, the Little Big Disk Quadra is the perfect compact, portable powerhouse. About 60 percent lighter than desktop hard disks, this small storage solution easily travels with you anywhere. With unsurpassed capacity for a mobile hard disk, it provides ample storage for transporting tons of files between home and office.

Sturdy, Clever, and Silent Design

The world-renowned designer Neil Poulton – the creator of our award-winning d2 range – designed the distinctive Little Big Disk Quadra exclusively for LaCie. Thanks to its unique, fanless cooling system, it's the quietest hard disk for its capacity, making it ideal for AV professionals. The heat sink surface provides more area than the standard design for heat dissipation away from the drive, increasing reliability. Made of aluminum, it's the mobile solution for intensive use.



1 TB* =

2 hours of HD video or
70 hours of DVD or
77,500 RAW photos**

- Enormous capacity for a portable hard disk
- As fast as desktop hard disks - up to 145-160MB/s*** in eSATA
- Quadruple interface: the best connectivity for a mobile drive
- Aluminium heat sink design for safe, intensive use

Apple® Time Machine® and Leopard Compatible

The LaCie Little Big Disk Quadra is compatible with Mac OS X 10.5 Leopard, including Time Machine, making it an ideal partner for your Mac. Time Machine automatically backs up your Mac's system files, applications, accounts, preferences, music, photos, movies, and documents to an external hard drive and you can easily go back in time to recover anything.

Features

- Up to 1TB in a handheld storage device
- eSATA 3Gb/s, FireWire 800, FireWire 400, USB 2.0
- Built-in RAID 0 for superior speed
- Sturdy and space-saving
- FireWire bus-powered
- Plug & play
- Bootable via FireWire (Mac) and eSATA (Windows)
- Daisy-chainable with digital video cameras
- LaCie Setup Assistant: easy auto-formatting
- Advanced backup software

Box Content

- LaCie Little Big Disk Quadra
- eSATA-to-eSATA cable
- FireWire 800 (9-pin) cable
- FireWire 800 to FireWire 400 (9-to-6 pin) cable
- USB 2.0 cable
- AC power adapter kit (needed for eSATA and USB users only)
- Removable drive stand
- Quick Install Guide
- LaCie Setup Assistant (preloaded on the drive)
 - SilverKeeper for automatic backup and file verification (Mac)
 - Genie Backup Assistant software with data restore for Windows XP, Vista, 7
 - Intego Backup Assistant software with data restore for Mac OS X 10.5, 10.6

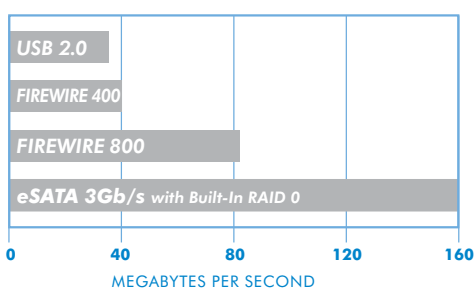
Minimum System Requirements

- Computer with an eSATA, FireWire 800, FireWire 400, or USB 2.0 port
- Latest version of Windows XP, Windows Vista, Windows 7 / Mac OS X 10.5, 10.6
- Minimum free disk space: 600MB recommended



PERFORMANCE COMPARISON

BURST READ TRANSFER RATE BENCHMARK***



The Most Powerful Professional Mobile Drive

The Little Big Disk Quadra is perfect for a wide range of high-end professional jobs including digital content creation, high volume data exchange, and audio/video editing, whether you're at the office, at home or traveling.



little big disk QUADRA

DESIGN BY NEIL POULTON

Item Number	301514	301398
Capacity*	1TB	1TB
Rotational Speed	5400 rpm	7200 rpm
Interface	1 x eSATA 3Gb/s port; 2 x FireWire 800 ports (FireWire 400 compatible); 1 x USB 2.0 port	
Interface Transfer Rate (maximum bus speed)	eSATA 3Gb/s: up to 3Gbits/s (300MB/s) FireWire 800: up to 800Mbits/s (100MB/s) FireWire 400: up to 400Mbits/s (50MB/s) USB 2.0: up to 480Mbits/s (60MB/s)	
Burst Read Transfer Rate*** (maximum drive speed)	eSATA 3Gb/s: up to 145-160MB/s FireWire 800: up to 75-85MB/s FireWire 400: up to 35-40MB/s USB 2.0: up to 30-35MB/s	
Cache	16MB (2 x 8MB) or greater	
Security	Kensington™ chain lock compatible	
Dimensions (WxDxH)	46 x 140 x 92 mm / 1.8 x 5.5 x 3.6 in.	
Weight	710 g / 1.6 lbs.	
Warranty	3-year limited	



Premium 3 Year Warranty

The Little Big Disk Quadra comes with a 3 Year Limited Warranty. For superior service, it also comes with the LaCie Advance Care Option, which can be purchased separately online within 30 days of the purchase date. Under the Advance Care Option, LaCie will immediately swap out the product without it needing to be returned first for minimal interruption of your workflow. LaCie covers all freight costs. Availability depends on the sales area. See www.lacie.com for details.



*1TB (Terabyte) = 1000GB. 1GB = 1000MB. 1MB = 1,000,000 Bytes. Total accessible capacity varies depending upon operating environment (typically 10% less).

**Calculations are based on 1080i 60 (8-bit) for uncompressed HD video, NTSC DV 25 standard-definition 720x486, 29.97 fps for digital video; and an estimation of Digital SLR resolution of 10 megapixels for RAW photos of 12MB. These calculations are only estimations and may vary with the codec used.

***Maximum interface transfer rate = theoretical bus bandwidth, whereas burst transfer rate = maximum drive speed. Burst transfer rates vary from one computer to another and from one hard disk to another. Average speed is usually lower, depending on host configuration.

